



Brown County Beekeepers

FLUR Cx Infrared Camera instructions

Note: includes case, camera, USB and wall plug

Important CARE INSTRUCTIONS:

NOTE: You will be responsible for damage to the Infrared camera, please read instructions carefully.
Do not point the camera at the sun – this can cause damage to the detector/sensors
Do not allow camera to sit in a hot car – this can damage camera sensors
Be careful when cleaning lenses – always use lens paper or cloth. Lens can be easily damaged.
Be sure to wipe any water / snow off of the camera after use

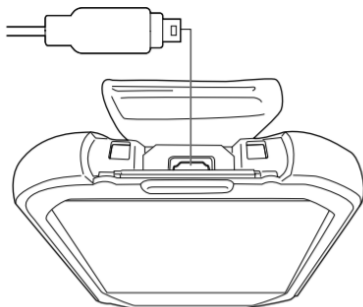


Front



Back

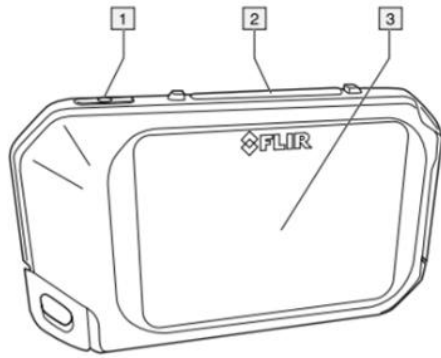
1. Charging the Camera – plug FLUR power connector into wall outlet, plug USB into FLUR camera



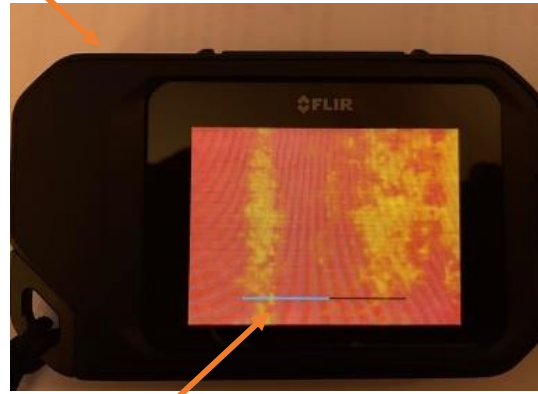
The purpose of this USB Micro-B connector is the following:

- Charging the battery using the FLIR power supply.
- Moving images from the camera to a computer for further analysis in FLIR Tools.

2. Turn on the Camera by pressing ON button



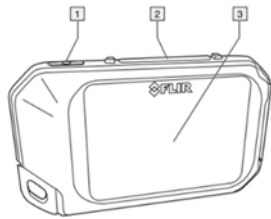
1. On/off button.
2. Save button.
3. Camera screen.



Loading bar

It will take a minute for the camera to load.

3. Saving an IMAGE - point camera at your hive and when ready press SAVE button (taking the picture). The camera will save both thermal and visual picture.

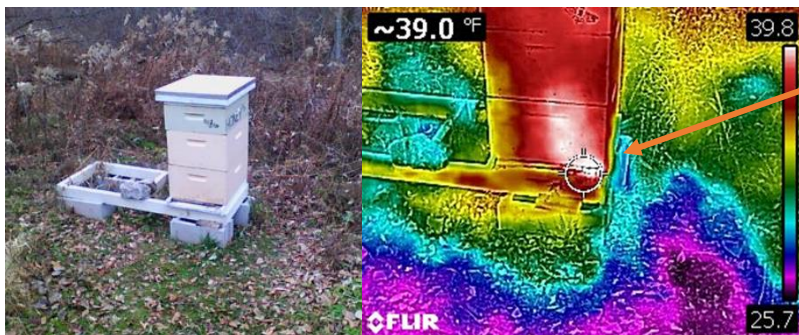


1. On/off button.
2. Save button.
3. Camera screen.



SAVE

Note: you want to point the camera where the HEAT is. there is a temperature display on the upper right. Point the CENTER SPOT in the warmest/hot area.... It will be white or red in color



Center spot – warmest area will be white – if not white look for dark red. This is where the most HEAT IS

4. Recalling/deleting your images – tap on the camera screen and the “tool bar” will come up. Select IMAGE



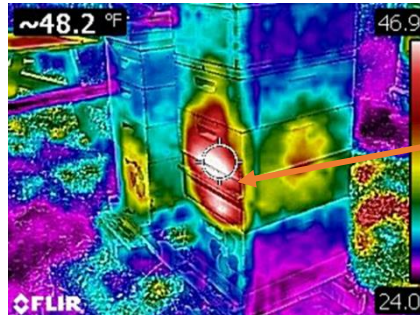
Tool bar

IMAGE

Tool Bar allows you to:

- a. Recall/review pictures you’ve just taken
- b. Removes center spot if you don’t want it there
- c. Add a flash
- d. Change color pallet

You can recall your images, scroll through or delete images

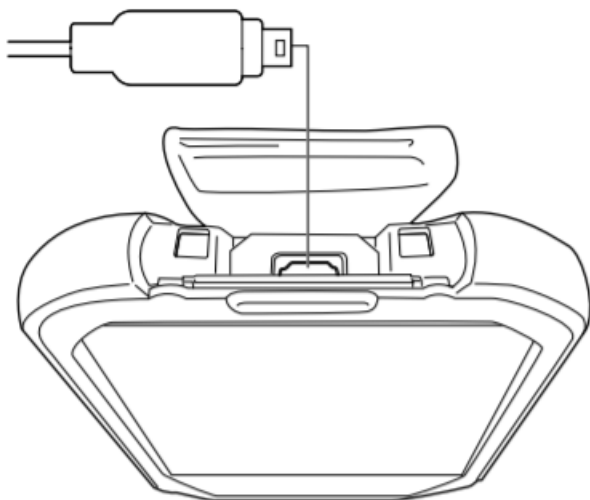


Temperature of center spot

Center spot

5. If you want to **transfer images** to your computer –plug USB into your computer and camera to download - you do not need to download FLUR App.

NOTE: IF YOU HAVE **BEE COZIES or some type of insulation**, heat will be dispersed – you may need to remove or adjust to capture – but camera still works through cozies or insulation



The purpose of this USB Micro-B connector is the following:

- Charging the battery using the FLIR power supply.
- Moving images from the camera to a computer for further analysis in FLIR Tools.

Transfer your photos to your computer by plugging USB into your computer, and downloading the pictures. You do not need to **download** flur tools.